

**Please read all of the following information before using this product.**

*TherAdapt<sup>®</sup> Products Inc. has designed and manufactured this product with the well being of the user and caregiver(s) in mind. It is our endeavor to provide products which are attractive, comfortable, useful, highly adjustable, long lasting and safe. As when using any product, precautions must be taken.*



**WARNING:** This product must only be used under the recommendation of a physician and / or licensed therapist and with adult supervision. Never leave user unattended. It is your responsibility to properly use and maintain your Winged Back Insert. Failure to follow USE and CARE instructions or ASSEMBLE the insert properly as outlined may result in bodily injury.

THE MANUFACTURER IS NOT RESPONSIBLE FOR INJURIES RESULTING FROM ANY CUSTOMIZATION OR MODIFICATION OF THE EQUIPMENT THAT WAS NOT COMPLETED BY THE MANUFACTURER.

**USE:** The Winged Back Insert is designed for a single purpose: as a positioning support attached to a TherAdapt<sup>®</sup> Adjustable Positioning Chair or TherAdapt<sup>®</sup> Bolster Chair **only**. **No other use is permitted.**

**CARE:** Take care to inspect the ongoing condition of all parts of your Winged Back Insert. Verify that all pads, hook and / or loop fastener, knobs, nuts, bolts, and washers are properly positioned and secure. Contact the manufacturer for replacement or repair of necessary items. All components may be cleaned with mild soap and water, or a gentle sanitizing spray. **Do not** use abrasive cleaners. Wipe wood components dry after cleaning. Excess amounts of liquid on the wood may damage the finish. Always store indoors.

**WARRANTY:** The manufacturer provides a full one (1) year warranty, beginning the date shipped by the manufacturer. The warranty provides full replacement of all parts against breakage when used in compliance with the manufacturer's USE and CARE instructions. Use or modification beyond the normal capacity or range of adaptability designed into the products will void the warranty. The foregoing is TherAdapt's sole liability for consequential damages.

**PLEASE COMPLETE AND RETAIN FOR YOUR RECORDS**

**Winged Back Insert WBI-** \_\_\_\_\_

**Serial Number:** \_\_\_\_\_

**Purchase date:** \_\_\_\_\_

## ***TherAdapt*<sup>®</sup> Winged Back Insert (WBI-100/200/300) Instructions**

### **Packing List:**

- (1) Insert with (1) Head pad, and (1) Lumbosacral pad
- (1) Butterfly chest harness with (4) side release buckles and (2) straps

### **Tools Needed:**

- (1) 7/16" open end wrench

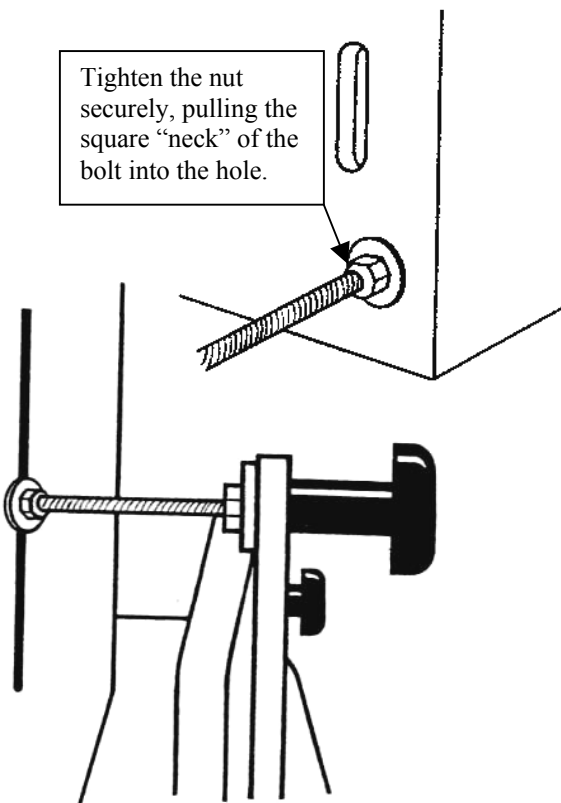
- (1) Wooden "Yoke" \*
- (3) 6" 1/4 -20 carriage bolts \*
- (3) 4" 1/4 -20 carriage bolts \*
- (2) 1 3/4" 1/4 -20 hex head bolts \*
- (6) 7/16" 1/4 -20 hex nuts \*
- (6) Metal washers \*
- (3) "Flower" knobs with 1/4 -20 threaded inserts \*
- (2) Thru-knobs with 1/4 -20 threaded inserts \*
- (2) Nylon washers \*

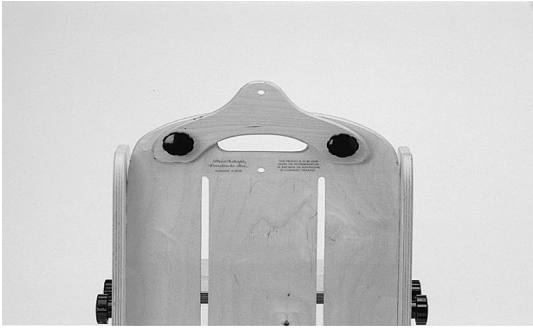
\* Included in Hardware Bag

**The Winged Back Insert is designed to interface with the *TherAdapt*<sup>®</sup> Adjustable Positioning Chair and *TherAdapt*<sup>®</sup> Bolster Chair only. Assemble, attach and adjusts as follows:**

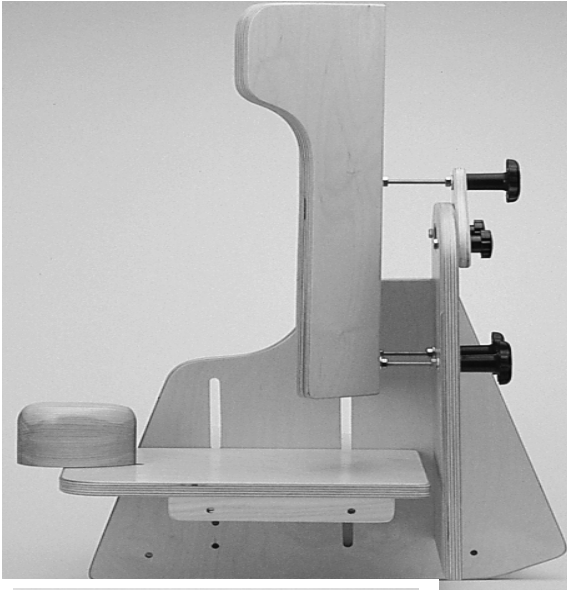
### **1. Assemble the Winged Back Insert:**

- A. Select either the 4" (for up to 3" of seat depth reduction) or the 6" (for up to 5" of seat depth reduction) carriage bolts for use. (Keep the unused set on hand.) Insert (2) of the bolts into the two holes at the bottom of the insert. Place a metal washer, followed by a nut, on each bolt and secure it in place. **Important:** With a 7/16" wrench (not included) tighten the nuts securely to "pull" the square neck of the bolt into the wood on the front side of the insert.
- B. Insert (1) bolt through the center slot. Place a metal washer, followed by a nut, on the bolt and secure it in place loosely until final position is determined. Tighten as above once height adjustment is finalized.
- C. Place a 2<sup>nd</sup> nut, followed by a metal washer, on the bolt. **Note:** The greater the distance between the nuts the shorter the seat depth on the Adjustable Positioning Chair.

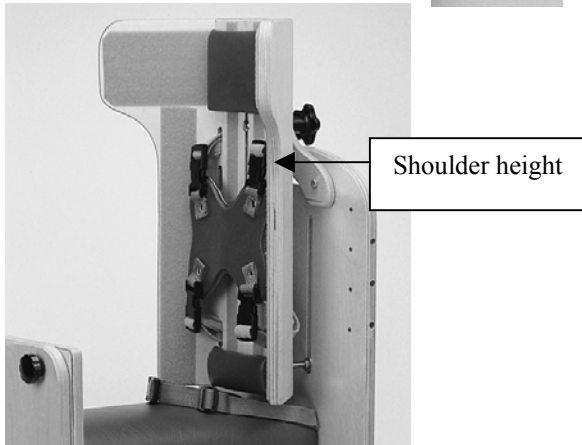




2. **Attach the wooden “yoke” to the back of the chair.** This can be placed on the “inside” or the “outside” of the chair back depending on the depth of the seat needed. Place the (2) hex bolts through the pre-drilled holes. Place a nylon washer between the wood and the knob. Secure with small knobs. **Tighten securely.**



3. **Attach the Insert to the chair.**
  - A. Place the lower carriage bolts through the slots in the back of the chair. Place the upper carriage bolt through the hole in the top of the yoke. **Note:** The washer-nut / nut-washer combination should be on the “inside” of the chair. Secure by placing the “flower” knobs (see illustration) on the ends of the carriage bolts. **Tighten all knobs securely.**
  - B. The Insert is adjusted vertically by loosening the 1<sup>st</sup> nut on the top bolt to allow the bolt to slide in the insert slot. Loosening the lower pair of “flower” knobs allows the bolts to slide in the chair slots. **Note: The insert should be positioned so that the top of the “butterfly” straps are even with the shoulders. Re-tighten the nut and knobs securely once the appropriate height is obtained.**
  - C. The seat depth (of the Adjustable Positioning Chair) can be reduced by up to 3” (with the 4” bolts) or 5” (with the 6” bolts) by changing the position of the 2<sup>nd</sup> nut in relation to the 1<sup>st</sup> nut. **Note:** The greater the distance between the two (2) nuts, the greater the seat depth reduction.
  - D. When attaching the Winged Back Insert to the Bolster chair use the 4” bolts and place the insert close to the back of the chair.



4. **The Butterfly Kit** comes attached but may need to be reconfigured for a custom fit. Place the top strap through the one of the top two paired vertical slots, and the bottom strap through the bottom two vertical slots in the insert. **Note: The insert should be positioned on the chair so that the top of the butterfly straps are even with the shoulders and the buckle is below the collarbone.** Adjust the length of the top straps to position the chest piece at the desired location on the chest (see below). Provide a “snug” fit by pulling on the lower set of straps only.

***Care should be taken not to position the harness higher than the notch felt at the top of the sternum (breast bone) as strangulation could occur.***

## *TherAdapt*<sup>®</sup> Winged Back Insert Options- Instructions



1. **Flat Head Pads (WBI-100FH, WBI-200FH, WBI-300FH)** attach to the insert “wings” with hook fastener and can be used to pad the head support.

2. **Triangle Head Pads (WBI-100TH, WBI-200TH, WBI-300TH)** are triangle shaped with the hook fastener on the long side of the pad. Attach to the insert “wings” for maximum lateral head support.



3. **Triangular Trunk Pads (WBI-100TT, WBI-200TT, WBI-300TT)** are triangle shaped with the hook fastener on the short edge for deeper trunk support.

4. **Protraction/Pelvic pads (WBI-100PP, WBI-200PP, WBI-300PP)** are angled at 25° and can be used at the scapula or the pelvis to position and stabilize the user. They attach to the insert with hook fastener.



5. **Back Liner Pads** are 2” high and 4” high (for WBI-100 use **BLP-102 and BLP-104** and for WBI-200 use **BLP-202 and BLP-204**) or 3” high and 5” high (for WBI-300 use **BLP-303 and BLP-305**) cushioned pads that are used to line the center of the insert. They attach with hook fastener anywhere along the pre-installed loop fastener on the insert. The pads may be used to line the entire insert or an area may be “left open” to relieve pressure.